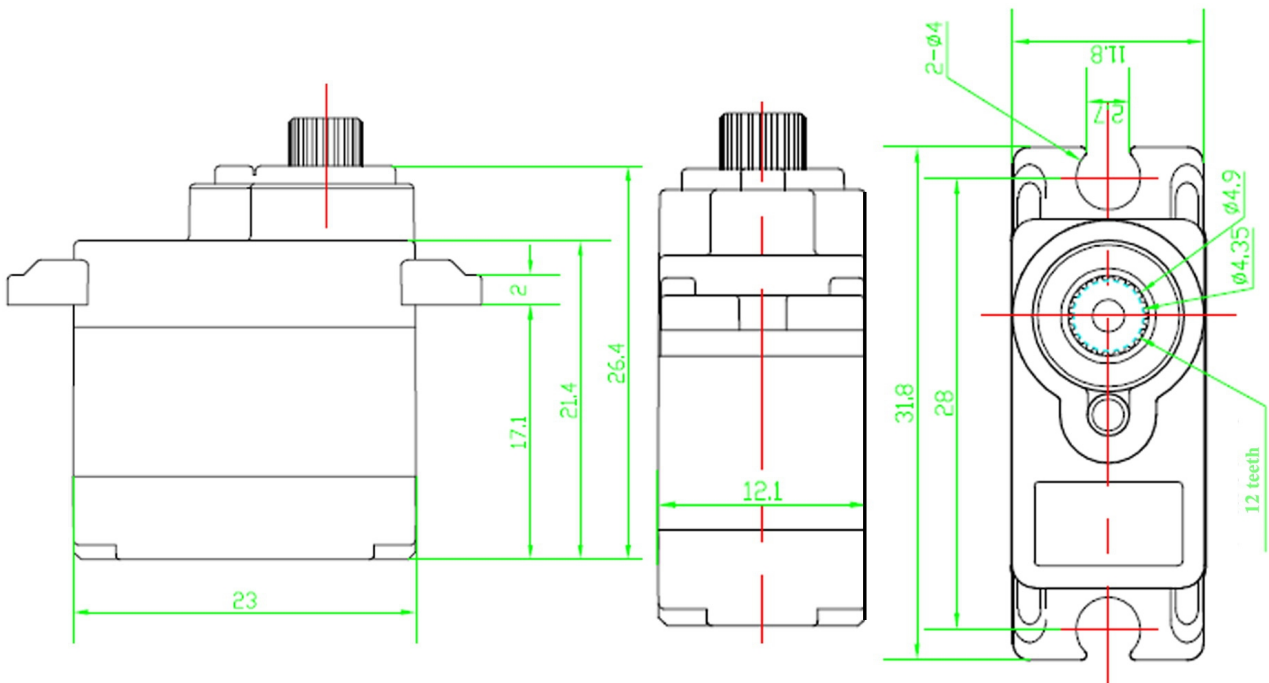


GS-9018

Control System	Positive PWM control 1500 usec Neutral	
Operation Voltage Range	4.8V ~ 6.0V	
Operation Temperature Range	-20C°~ +60C°	
Test Voltage:	At 4.8V	At 6.0V
Standing Torque	1.5kg.cm	1.7kg.cm
Speed	0.13 sec / 60 deg at no load	0.12 sec / 60 deg at no load
Idle Current	160mA at stopped	500mA at stopped
Running Current	180mA at no load	600mA at no load
Dead band width	8.0 μs	8.0 μs
Circle	15000 times	
Operation Travel	60° ± 10°	
Direction	Re-clock wise/ Pulse Travel 1500 to 2100 usec	
Motor Type	Brush	
Potentiometer Type	Direct Driver	
Amplifier Type	Analog Control	
Dimensions	23*12.1*21.4mm	
Weight:	9g without splined horn	
Ball Bearing	N/A	
Gear Material	POM	
Case Material	PC	
Connector Wire Length	250mm	
Connector Wire Gauge	26AWG heavy duty (JR Universal)	



GS-9018



Web: www.goteckrc.com

updated:2013-2-27